



## **X2-10GB-Cxx-ER**

### **CWDM X2-10GBASE, 40km Reach**

#### **Features**

- | Wavelength selectable to ITU-T standards covering CWDM grid
- | Compatible with X2 MSA Rev2.0b
- | Support of IEEE 802.3ae 10GBASE-ER at 10.3125Gbps
- | Transmission Distance up to 40Km(SMF)
- | SC Receptacle CWDM Cooled EA Laser and PIN photodiode
- | SC Duplex Optical Connector
- | Hot Pluggable 70-PIN Connector with XAUI Electrical Interface
- | Management and control via MDIO 2-wire interface
- | Power Supply : +5V, +3.3V, APS(+1.2V)
- | Diagnostic Optics Monitoring
- | Temperature Range: -5~ 70 °C
- | ROHS Compatible

#### **Applications**

- | 10GE Ethernet switches and routers
- | 10GE Core-routers
- | 10GE Storage
- | CWDM System



#### **Product Description**

The X2-10GB-Cxx-ER is a highly integrated, Serial optical transponder module for high-speed, 10Gbit/s data transmission applications. 4×3.125Gbps Ethernet Signal Input by XAUI Interface. An integrated Coder / Decoder and multiplexer / demultiplexer (SERDES: Serializer / Deserializer). Designing for 40km Transmission with an uncooled directly modulated CWDM Cooled EA-DFB Laser. Digital diagnostics functions are available via a 2-wire serial interface, as specified in the XENPAK MSA 3.0.

#### **Absolute Maximum Ratings**



Parameter	Symbol	Min	Max	Unit	Ref.
Storage Ambient Temperature Range		-40	+85	°C	non condensing
Powered case Temperature Range		0	+70	°C	non condensing
Adaptable Power Supply (APS)	Vapsense	0	1.5	V	Voltage @ Pin APS Sense
Supply Voltage Range @ 3.3V	Vcc3	-0.5	4.0	V	

Any stress beyond the maximum ratings can result in permanent damage. The device specifications are guaranteed only under the recommended operating conditions.

### Recommended Operating Conditions

Parameter	Symbol	Min	Typical	Max	Unit
Operating Case Temperature	Tc	0		+70	°C
Power Supply Voltage	V <sub>CC5</sub>	4.75	5.0	5.25	V
	V <sub>CC3</sub>	3.14	3.3	3.47	
	V <sub>APS</sub>	1.152	1.2	1.248	
Power Dissipation	PD			4	W

### XAUI I/O Characteristics

Parameter	Symbol	Min.	Typ.	Max.	Unit	Note
XAUI Data Rate	DR		3.125		Gb/s	
XAUI Baud Rate Tolerance		-100		+100	ppm	Relative Tolerance
Differential Input Voltage Swing		220		1600	mv	8B/10B Coded Input Signal
Differential Output Voltage Swing		800		1600	mVp-p	RLOAD = 100Ω ± 5%
Differential Input Impedance		80	100	120	Ω	
Total Output Jitter	TJXAUI			0.35	UI	no pre-equalization
Total Deterministic Output Jitter	DJXAUI			0.17	UI	no pre-equalization

### Optical Interface

#### Transmitter Characteristics

Parameter	Symbol	Min.	Typ.	Max.	Unit	Note
-----------	--------	------	------	------	------	------



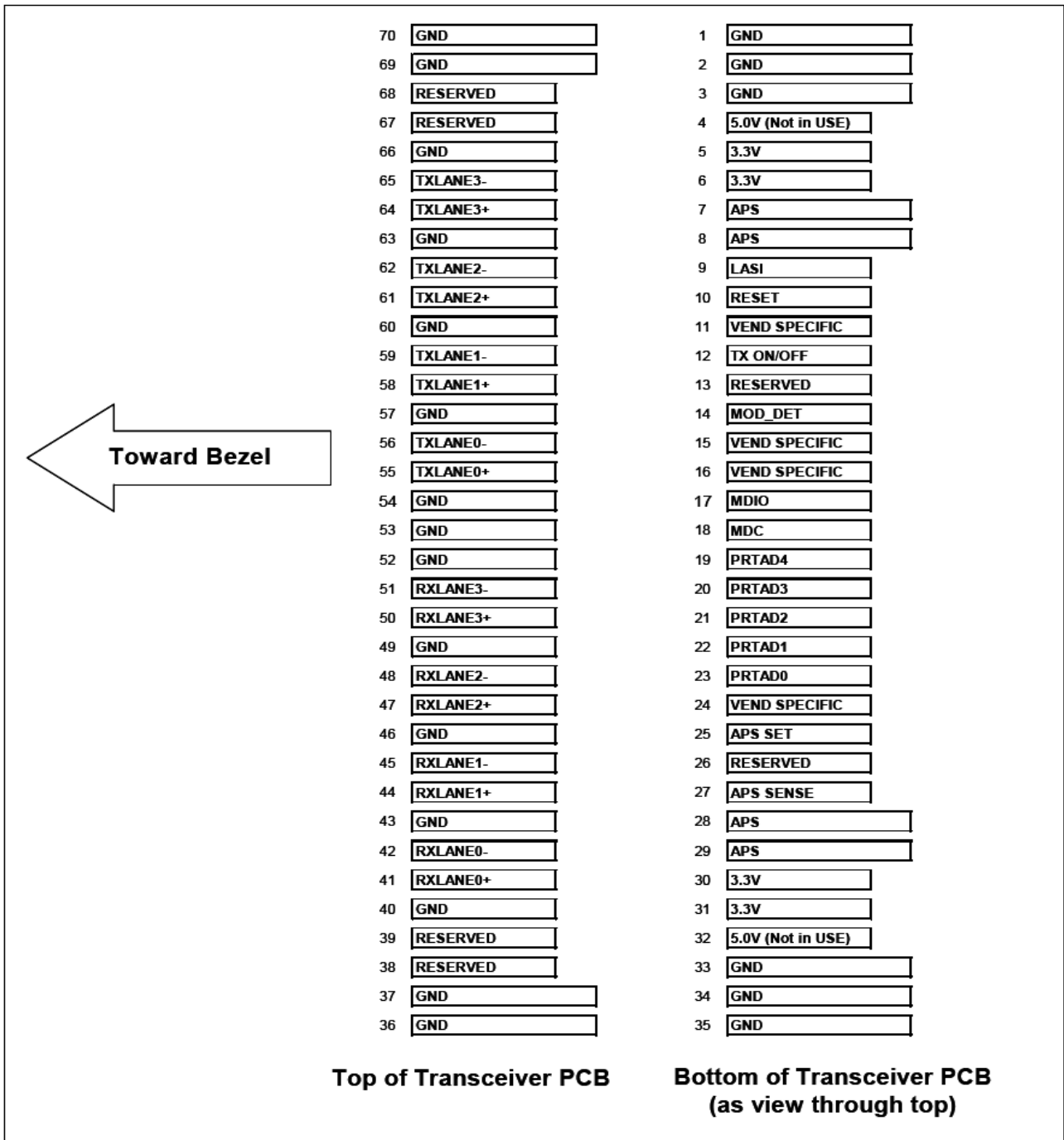
Operating Range				10	Km	
Operating Date Rate			10.3125		Gb/s	
Optical Transmit Power	Po	-1.0		+2.0	dBm	
Output Centre Wavelength	$\lambda_c$	1470		1610	nm	
Center wavelength stability	$\Delta\lambda_c$	-6.5	$\lambda_c$	+6.5	nm	
SMSR.	SWSR	30			dB	
Extinction Ratio	ER	9.0				
Optical Modulation Amplitude	OMA	500			$\mu$ W	
Transmitter and Dispersion Penalty	TDP			3.2	dB	

### Receiver Characteristics

Parameter	Symbol	Min.	Typ.	Max.	Unit	Note
Operating Date Rate			10.3125		Gb/s	
Overload	Po	0.5			dBm	
Sensitivity in 10.3G(OMA)	OMA0			-14.1	dBm	1
Stressed Sensitivity in 10.3G(OMA)	OMAst			-11.3	dBm	1

Note :1. Measured at 10.3125Gb/s,Non-framed PRBS2^31-1,NRZ

### Electrical PAD Layout



**Host PCB X2 PINOUT**



1	GND	GND		70
2	GND	GND		69
3	GND	RESERVED		68
4	5.0V (Not in USE)	RESERVED		67
5	3.3V	GND		66
6	3.3V	TXLANE3-		65
7	APS	TXLANE3+		64
8	APS	GND		63
9	LASI	TXLANE2-		62
10	RESET	TXLANE2+		61
11	VEND SPECIFIC	GND		60
12	TX ON/OFF	TXLANE1-		59
13	RESERVED	TXLANE1+		58
14	MOD_DET	GND		57
15	VEND SPECIFIC	TXLANE0-		56
16	VEND SPECIFIC	TXLANE0+		55
17	MDIO	GND		54
18	MDC	GND		53
19	PRTAD4	GND		52
20	PRTAD3	RXLANE3-		51
21	PRTAD2	RXLANE3+		50
22	PRTAD1	GND		49
23	PRTAD0	RXLANE2-		48
24	VEND SPECIFIC	RXLANE2+		47
25	APS SET	GND		46
26	RESERVED	RXLANE1-		45
27	APS SENSE	RXLANE1+		44
28	APS	GND		43
29	APS	RXLANE0-		42
30	3.3V	RXLANE0+		41
31	3.3V	GND		40
32	5.0V (Not in USE)	RESERVED		39
33	GND	RESERVED		38
34	GND	GND		37
35	GND	GND		36

### Pin Descriptions

PIN NO	Name	Dir	Logic	Function	Notes
1	GND			Electrical Ground	



2	GND			Electrical Ground
3	GND			Electrical Ground
4	5.0V			Power
5	3.3V			Power
6	3.3V			Power
7	APS			Adaptive Power Supply
8	APS			Adaptive Power Supply
9	LASI	O	1.2V CMOS Open Drain	Link Alarm Status Interrupt, low active, Open Drain Output A pull-up resistor with 10-22KΩ to 1,2V is expected. Logic High: Normal Operation Logic Low: Link Alarm is indicated
10	Reset	I	1.2V CMOS Open Drain	Low active Reset Input 10KΩ pull-up on Transceiver Logic high = Normal Operation Logic Low = Reset asserted
11	VEND SPECIFIC			Vendor Specific Pin,, leave unconnected
12	TX ON/OFF	I	1.2V CMOS Open Drain	High active Transmitter Enable Input 10KΩ pull-up on Transceiver Logic high = Transmitter active (normal Operation) And Register Bit 1.9.0 set to low as well Logic Low = shut down of Transmitter
13	RESERVED			RESERVED
14	MOD DETECT	O		1kΩ to Ground On Transceiver
15	VEND SPECIFIC			Vendor Specific Pin,, leave unconnected
16	VEND SPECIFIC			Vendor Specific Pin,, leave unconnected
17	MDIO	I/O	1.2V CMOS	Management Data I/O. Requires external 10-22 kΩ pull-up to 1.2 V on host.
18	MDC	I	1.2V CMOS	Management Clock Input
19	PRTAD4	I		Port Address Bit 4(LOW=0)
20	PRTAD3	I		Port Address Bit 3(LOW=0)
21	PRTAD2	I		Port Address Bit 2(LOW=0)
22	PRTAD1	I		Port Address Bit 1(LOW=0)
23	PRTAD0	I		Port Address Bit 0(LOW=0)
24	VEND SPECIFIC			Vendor Specific Pin,, leave unconnected
25	APS SET	I		Feedback Input for APS, Input of APS Setting Resistor



26	RESERVED			RESERVED	
27	APS SENSE	O		APS Sense Output for APS Control Circuit	
28	APS			Adaptive Power Supply	
29	APS			Adaptive Power Supply	
30	3.3V			Power	
31	3.3V			Power	
32	5.0V			Power	
33	GND			Electrical Ground	
34	GND			Electrical Ground	
35	GND			Electrical Ground	

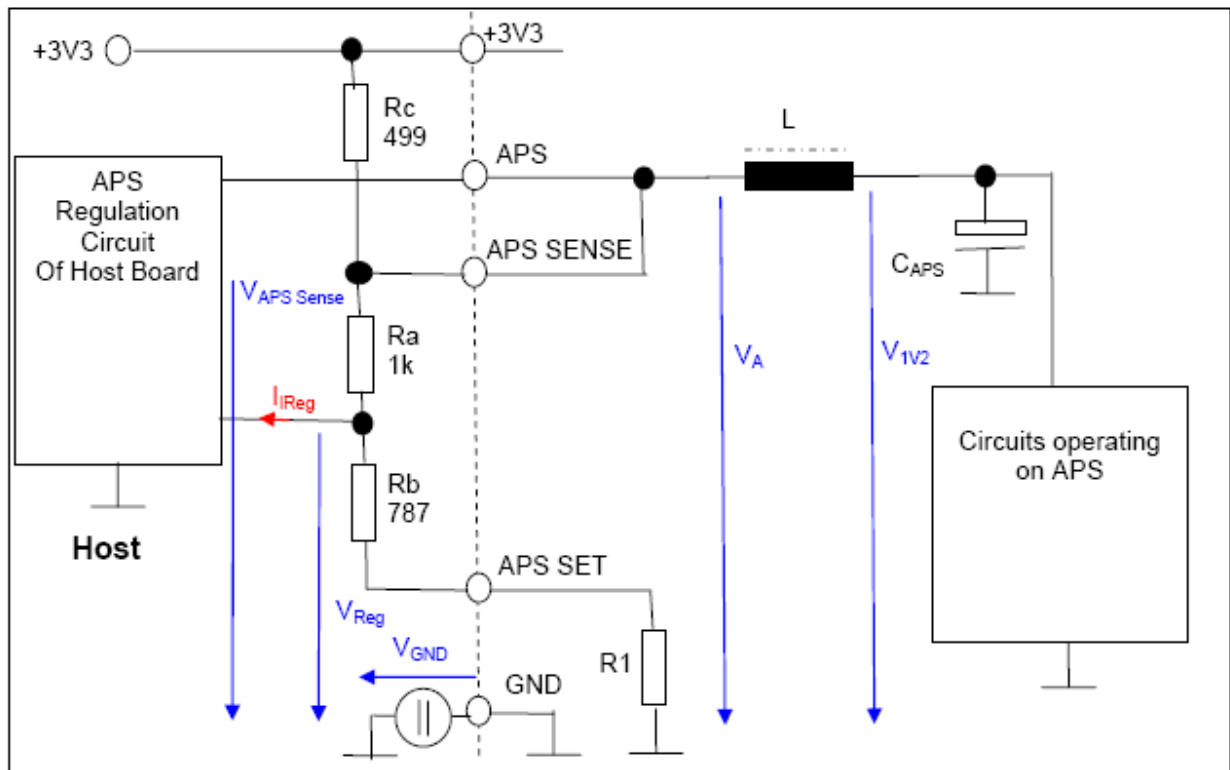
PIN NO	Name	Dir	Logic	Function	Notes
36	GND			Electrical Ground	
37	GND			Electrical Ground	
38	RESERVED			RESERVED	
39	RESERVED			RESERVED	
40	GND			Electrical Ground	
41	RX LANE 0+			Module XAUI Output Lane 0+	
42	RX LANE 0-			Module XAUI Output Lane 0-	
43	GND			Electrical Ground	
44	RX LANE 1+			Module XAUI Output Lane 1+	
45	RX LANE 1-			Module XAUI Output Lane 1-	
46	GND			Electrical Ground	
47	RX LANE 2+			Module XAUI Output Lane 2+	
48	RX LANE 2-			Module XAUI Output Lane 2-	
49	GND			Electrical Ground	
50	RX LANE 3+			Module XAUI Output Lane 2+	
51	RX LANE 3-			Module XAUI Output Lane 2-	
52	GND			Electrical Ground	
53	GND			Electrical Ground	
54	GND			Electrical Ground	



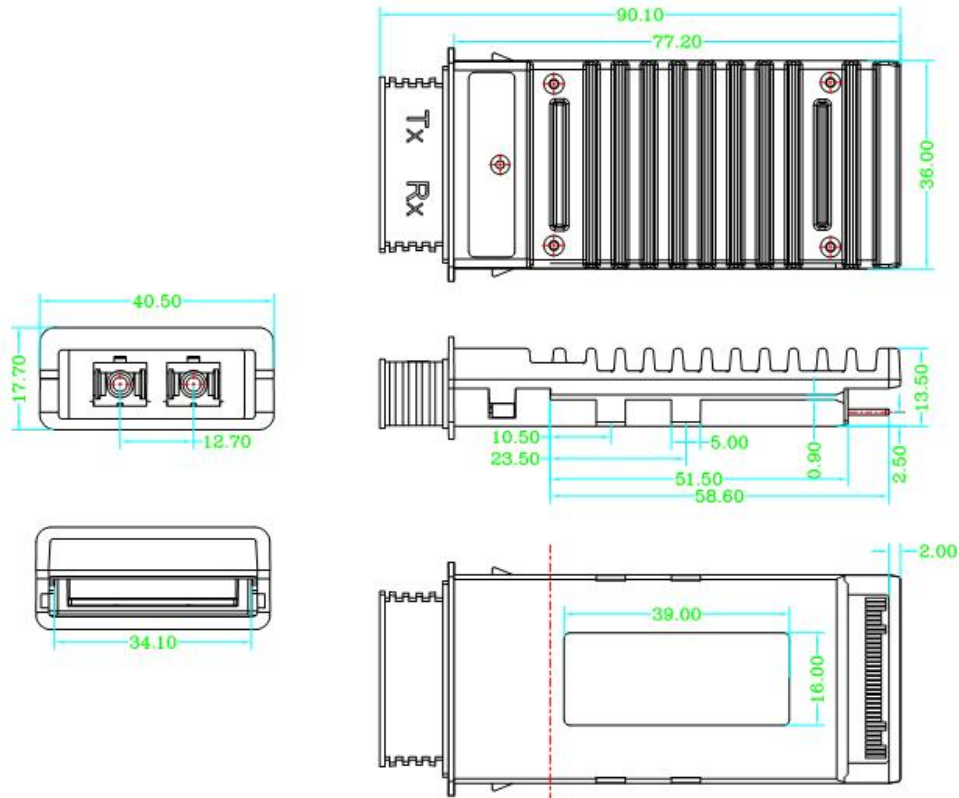
55	RX LANE 0+			Module XAUI Output Lane 0+	
56	RX LANE 0-			Module XAUI Output Lane 0-	
57	GND			Electrical Ground	
58	TX LANE 1+			Module XAUI Output Lane 1+	
59	TX LANE 1-			Module XAUI Output Lane 1-	
60	GND			Electrical Ground	
61	TX LANE 2+			Module XAUI Output Lane 2+	
62	TX LANE 2-			Module XAUI Output Lane 2-	
63	GND			Electrical Ground	
64	TX LANE 3+			Module XAUI Output Lane 2+	
65	TX LANE 3-			Module XAUI Output Lane 2-	
66	GND			Electrical Ground	
67	RESERVED			RESERVED	
68	RESERVED			RESERVED	
69	GND			Electrical Ground	
70	GND			Electrical Ground	

## Block Diagram of Adapter Power Supply Circuit





## Package Dimensions



## Ordering information

Part Number	Product Description
X2-10GB-C47-ER	1470nm cooled DFB EML, 10Gbps, 40km, -5°C ~ +70°C
X2-10GB-C49-ER	1490nm cooled DFB EML, 10Gbps, 40km, -5°C ~ +70°C
X2-10GB-C51-ER	1510nm cooled DFB EML, 10Gbps, 40km, -5°C ~ +70°C
X2-10GB-C53-ER	1530nm cooled DFB EML, 10Gbps, 40km, -5°C ~ +70°C
X2-10GB-C55-ER	1550nm cooled DFB EML, 10Gbps, 40km, -5°C ~ +70°C
X2-10GB-C57-ER	1570nm cooled DFB EML, 10Gbps, 40km, -5°C ~ +70°C
X2-10GB-C59-ER	1590nm cooled DFB EML, 10Gbps, 40km, -5°C ~ +70°C
X2-10GB-C61-ER	1610nm cooled DFB EML, 10Gbps, 40km, -5°C ~ +70°C

TINOUT TECHNOLOGY LIMITED

E-mail: [CROFT@TINOUT.com](mailto:CROFT@TINOUT.com) <http://www.TINOUT.com>