



Product Specification

10Gbps XFP Transceiver

TOXFP1510GZR

V20131010

Product Features

- | 9.95Gbps to 11.1Gbps data links
- | 80km with 9/125μm SMF
- | 1550nm EML laser, APD ROSA
- | Duplex LC Connector
- | Hot-pluggable XFP footprint
- | Single 3.3V power supply
- | Operating temperature: -5°C to 70°C
- | RoHS
- | Digital Diagnostic Monitor (DDM)
- | Power Consumption < 2.5W

Applications

- √ 10GBase-ZR/ZW 10G Ethernet
- √ SONET OC-192 L2
- √ SDH STM S-64 L2
- √ 80km 10G Fiber Channel

1. Product Description

The TOXFP1510GZR is a 10Gbps enhanced small form factor pluggable XFP transceiver compatible with 10GBASE-ZR/ZW, SONET OC-192 L2, SDH STM S-64 L2 . It is suitable for Single-mode fiber (SMF) communications in 10Gbps Ethernet/FC/SONET SDH.

2. Regulatory Compliance

TINOUT transceivers are Class 1 Laser Products comply with FDA regulations. Meet Class 1 eye safety requirements of EN 60825 and the electrical safety requirements of EN 60950.



3. Absolute Maximum Ratings

Parameter	Symbol	Min.	Max.	Unit
Supply Voltage	V _{CC}	-0.5	4	V
Storage Temperature	T _s	-40	85	°C
Operating Case Temperature	T _c	-5	70	°C
Power Received Max	P _{max}		-7	dBm

4. Recommended Operating Conditions

Parameter	Symbol	Min.	Typical	Max.	Unit
Operating Case Temperature	T _c	-5		70	°C
Power Supply Voltage	V _{CC}	3.15	3.3	3.45	V
Power Supply Current	I _{CC3}			400	mA
Data Rate			10		GBps
Max Link Length on 9/125μm SMF	L _{max}			80	km

5. Optical Characteristics

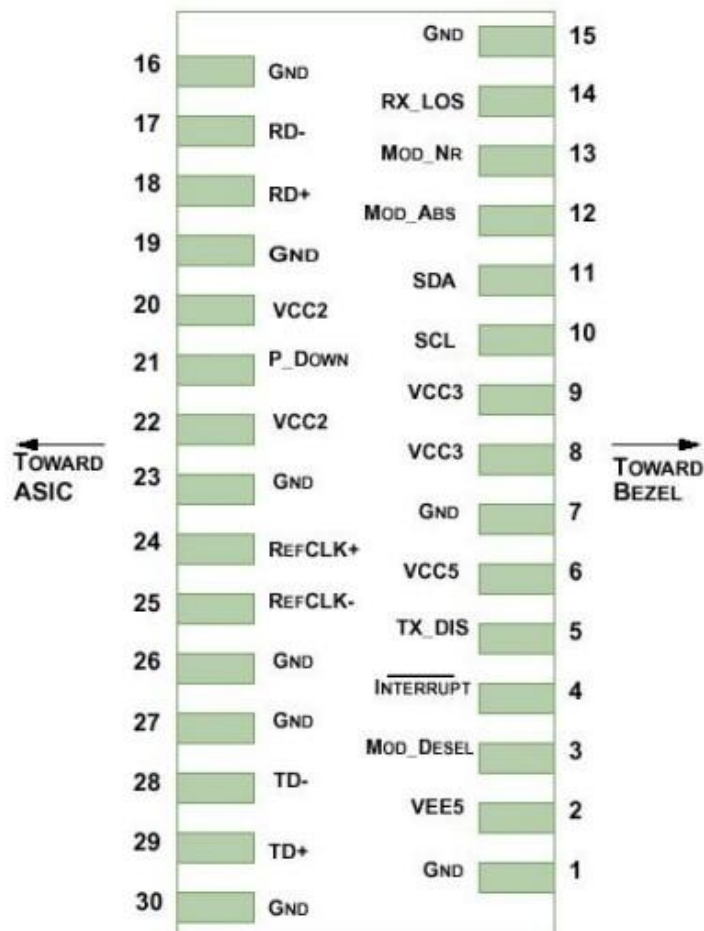
Parameter	Symbol	Min.	Typical	Max.	Unit
Transmitter					
Centre Wavelength	λ _c	1530	1550	1560	nm
Spectral Width (RMS)	σ			0.5	nm
Average Output Power	P _{out}	0		5	dBm
Extinction Ratio	ER	9			dB
Average Launch Power of Off Transmitter	P _{off}			-30	dBm
Receiver					
Centre Wavelength	λ _c	1270		1600	nm
Receiver Sensitivity	P _{IN}			-24	dBm
Receiver Overload	P _{max}	-7			dBm
LOS De-Assert	LOS _D			-30	dBm
LOS Assert	LOS _A	-37			dBm
LOS Hysteresis		0.5			dB



6. Electrical Characteristics

Parameter	Symbol	Min.	Typical	Max.	Unit
Transmitter					
Input Differential Impedance	Zin	90	100	110	Ω
Data Input Swing Differential	Vin	200		700	mV
Tx-Dis Disable	Vd	2.0		Vcc	V
Tx-Dis Enable	Ven	0		0.8	V
Receiver					
Data Output Swing Differential	Vout	300		800	mV
Rx-Los Fault	Vlf	-0.5		VccHOST	V
Rx-Los Normal	Vln	0		0+0.8	V
Output rise and fall time	Tr, Tf			38	ps

7. Pin Descriptions





Pin	Symbol	Description	Ref.
1	GND	Module Ground	
2	VEE5	Optional Power Supply	
3	Mod-Desel		
4	Interrupt		
5	Tx-Dis	Transmitter Disable	
6	VCC5	+5V Power Supply	
7	GND	Module Ground	
8	VCC3	+3.3V Power Supply	
9	VCC3	+3.3V Power Supply	
10	SCL	Serial 2wire interface clock	
11	SDA	Serial 2wire interface data line	
12	Mod-Abs	Module Absent	
13	Mod-NR	Module Not Ready	
14	Rx-Los	Receiver Loss of Signal indicator	
15	GND	Module Ground	
16	GND	Module Ground	
17	RD-	Receiver Inverted data output	
18	RD+	Receiver non-Inverted data output	
19	GND	Module Ground	
20	VCC2	+1.8V Power Supply	
21	P-Down/RST		
22	VCC2	+1.8V Power Supply	
23	GND	Module Ground	
24	Ref CLK+		
25	Ref CLK-		
26	GND	Module Ground	
27	GND	Module Ground	
28	TD-	Transmitter Inverted data input	
29	TD+	Transmitter non-Inverted data input	
30	GND	Module Ground	

8. EEPROM & DDM THRESHOLD

8.1 EEPROM

TABLE (00h)

Reserved for diagnostics functions

TABLE (01h) EEPROM Serial ID Memory Contents



Addr.	Size (Bytes)	Name of Field	Hex	Description
BASE ID FIELDS				
128	1	Identifier	06	XFP
129	1	Ext. Identifier	90	TX Ref Clock Input Not Required; Power Consumption Max 3.5W
130	1	Connector	07	LC
131-138	8	Transceiver	00 00 00 00 00 00 04 00	Transmitter Code
139	1	Encoding	F0	64B/66B, 8B/10B, SONET, NRZ
140	1	BR, Min	63	9.9Gbps
141	1	BR, Min	6F	11.1Gbps
142	1	Length (9um) km	50	80km
143	1	Length (E-50um) m	00	
144	1	Length (50um) m	00	
145	1	Length (62.5um) m	00	
146	1	Length (Copper)	00	
147	1	Device Tech	76	APD, cooled 1550nm EML
148-163	16	Vendor Name	43 2D 4C 49 47 48 54 20 20 20 20 20 20 20 20 20	TINOUT * OEM available
164	1	CDR Support	F8	9.9~11.1Gbps
165-167	3	Vendor OUI	00 00 00	* OEM available
168-183	16	Vendor PN	xx xx xx xx xx xx xx xx xx xx xx xx xx xx xx xx	* OEM available
184-185	2	Vendor Rev	30 31	01
186-187	2	Wavelength	79 18	1550nm
188-189	2	Wavelength Tolerance	0D AC	17.5nm
190	1	Max Case Temp	46	70°C
191	1	CC-BASE		
EXTENDED ID FIELDS				
192-195	4	Power Supply	AF	Max Power Consumption 3.5W
			96	Max Power Consumption in Power Down Mode is 1.5W
			04	Max Current by 3.3V is 400mA
			00	

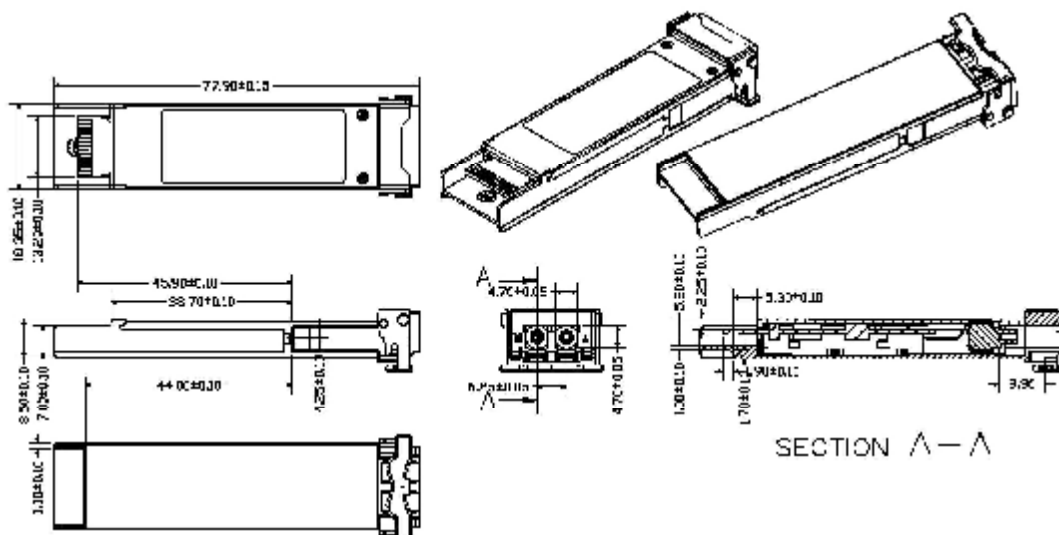


196-211	16	Vendor SN	43 4C xx xx xx xx xx xx xx xx xx 20 20 20 20 20	SN of Transceiver (ASCII). Exp. "TOXXXXXXXXXX"
212-219	8	Date Code	xx xx xx xx xx xx 20 20	YY/MM/DD Exp. 120727
220	1	Diagnostic Monitoring	08	Average Power
221	1	Enhanced Options	40	Optional Soft TX_DISABLE implemented;
222	1	Aux Monitoring	00	
223	1	CC_EXT	checksum	Checksum for Extended ID
VENDOR SPECIFIC ID FIELDS				
224-255	32	Vendor Specific	FF FF FF.....	Depends on Customer Info

8.1 DDM THRESHOLD

	Low Alarm	Low Warn	High Warn	High Alarm
Temperature	-5°C	0°C	70°C	75°C
Voltage	2.9V	3.0V	3.6V	3.7V
Tx Bias	15mA	20mA	90mA	100mA
Tx Power	-3dBm	-2dBm	5dBm	7dBm
Rx Power	-27dBm	-26dBm	-8dBm	-7dBm

9. Mechanical Specifications





10. LABEL

TINOUT offers label OEM design and print.

Label barcode supports code128 and 2D barcode

SIZE: 38mm*15mm

Ordering Information

Part No.	Data Rate	DDM	Wave	Fiber Type	Dist.	Temp.	Optical Interface
TOXFP1510GZR	9.95Gbps ~11.1Gbps	yes	1550nm	SMF	80km	-5~70℃	LC

*** WARNING: PLEAS KEEP THE RECEIVED POWER LOWER THAN -7dBm**

VERSION UPDATE:

VERSION NO.	DATE	UPDATED INFORMATION
V20131010	20131010	<ol style="list-style-type: none"> EEPROM& DDM Threshold updated "LABEL" added Ordering information updated Product picture updated

NOTICE:

TINOUT reserves the right to make changes to this product in this specification without notice, in order to improve product performance.

CONTACT:

Europe

contact person: SFP Expert

phone: 0086-18955924524

Email: croft@tinout.com

North America&Latin America

contact person: Daniel

phone: 0086-18505598810

Email: daniel@tinout.com

